

QuMax Omni for DIGI IX10/IX20

Integrated 2x multi-band LTE omni antenna + WiFi omni antenna + place to install DIGI IX10 or IX20 router

QuMax dual omni LTE antenna (2x SMA connector) for DIGI routers is a perfect outdoor device for mobile and fixed installations like industrial, CCTV, hotspots, yachts, boats, campers, RV etc. It also has embedded Wi-Fi dualband 2.4 & 5 GHz omni antenna (RP-SMA connector). If you use DIGI router with QuMax antenna, you get an integrated complete solution with embedded router and multi band antennas in one enclosure.



VERSION 1.00

OUTDOOR

Use it wherever you want

ANTENNA

Maximize your signal with QuWireless antennas

SOLUTION

Plug router and you are good to go

LTE SPECIFICATION

FREQUENCY	0.694-0.96 GHz 1.7 - 2.2 GHz 2.2 - 2.7 GHz
SUPPORTED LTE/5G BANDS	1, 2, 3, 4, 5, 6, 7, 8, 9, 10, 12, 13, 14, 17, 18, 19, 20, 23, 25, 26, 27, 28, 29, 30, 33, 34, 35, 36, 37, 38, 39, 40, 41, 44, 53, 59, 62, 65, 66, 67, 68, 69, 85, n80, n81, n82, n83, n84, n86, n89, n90, n95
GAIN	0.694 - 0.96 GHz : 2 dBi 1.7 - 2.2 GHz : 2 dBi 2.2 - 2.7 GHz : 3 dBi
VSWR	<1.50, max <2.50
BEAMWIDTH	360°/25° +/- 5°
POLARIZATION	Vertical
IMPEDANCE	50 Ω

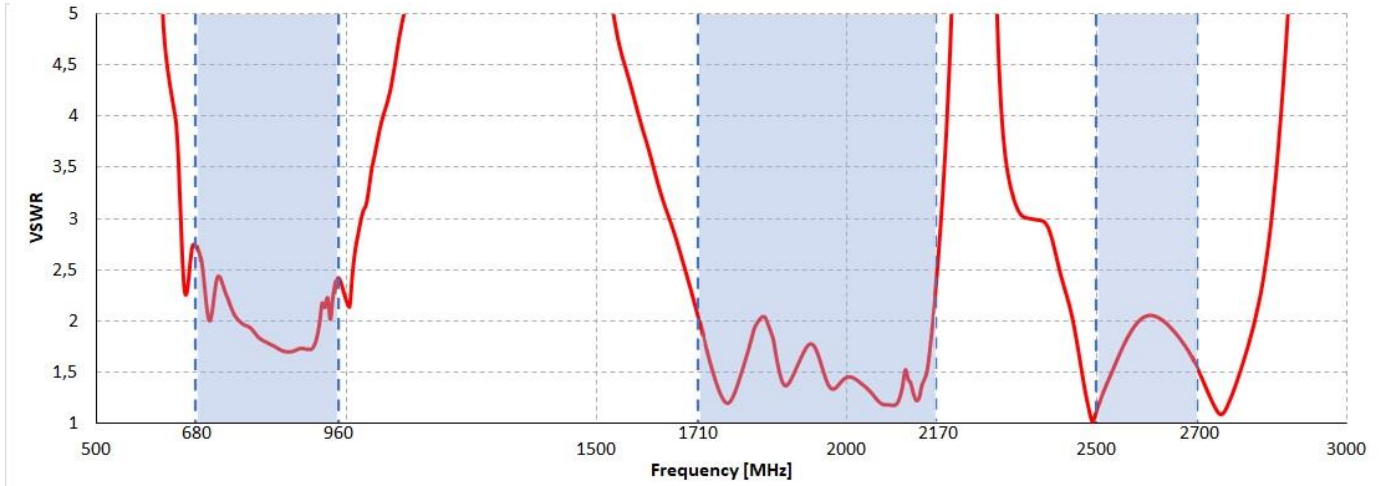
WI-FI SPECIFICATION

FREQUENCY	2.40-2.50 GHz 4.70 - 6.00 GHz
GAIN	2.40 - 2.50 GHz : 6 dBi 4.70 - 6.00 GHz : 7 dBi
VSWR	<1.70, max <2.00
BEAMWIDTH	360°/25° +/- 5°
POLARIZATION	Vertical
IMPEDANCE	50 Ω

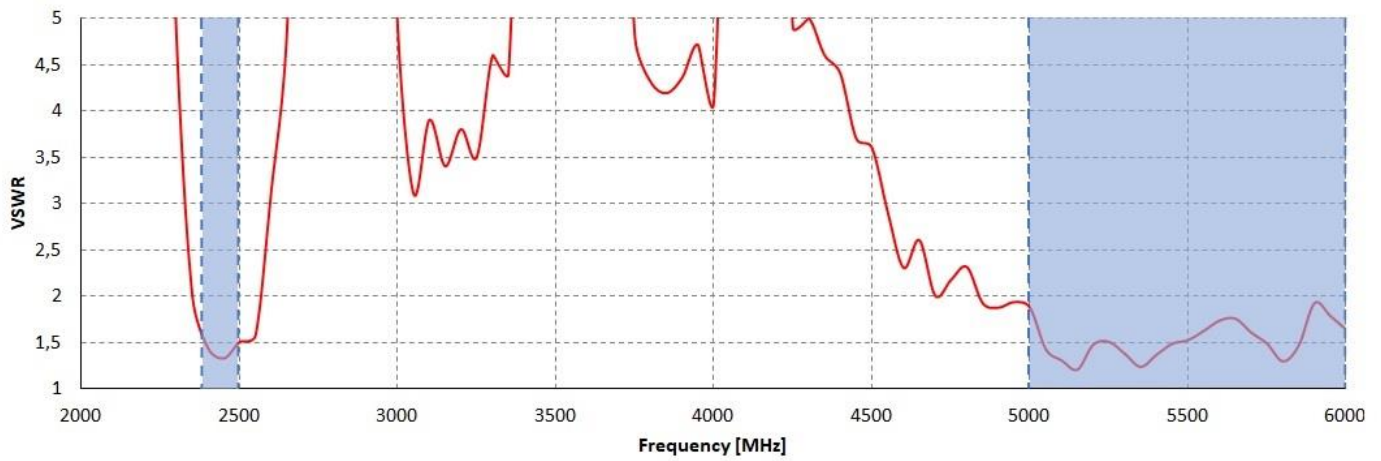
MECHANICAL SPECIFICATION

MATERIALS	ABS, aluminum, PTFE, FR4, Fiberglass
INGRESS PROTECTION	IP67
CONNECTOR TYPE	RJ45
DIMENSIONS	272 x 276 x 62 mm 10.71 x 10.87 x 2.44 inch
WEIGHT	1.8 kg 3.97 lbs
OPERATING TEMPERATURE	From -40°C to 75°C From -40°F to 167°F

VSWR for LTE antenna

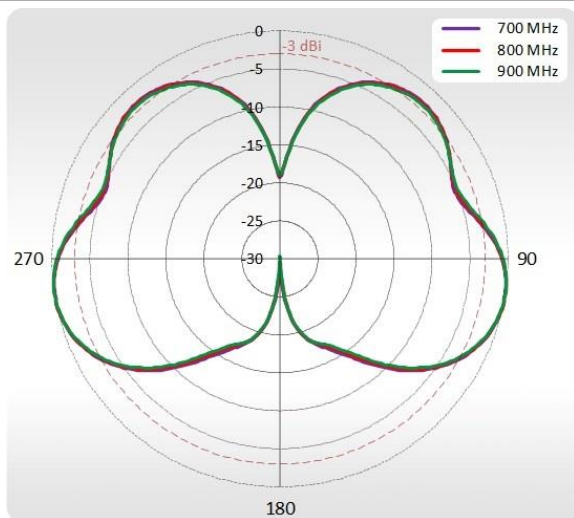


VSWR for Wi-Fi antenna

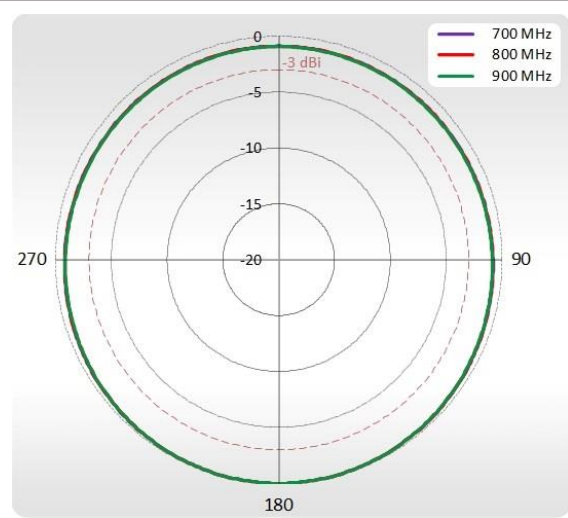


PLOTS

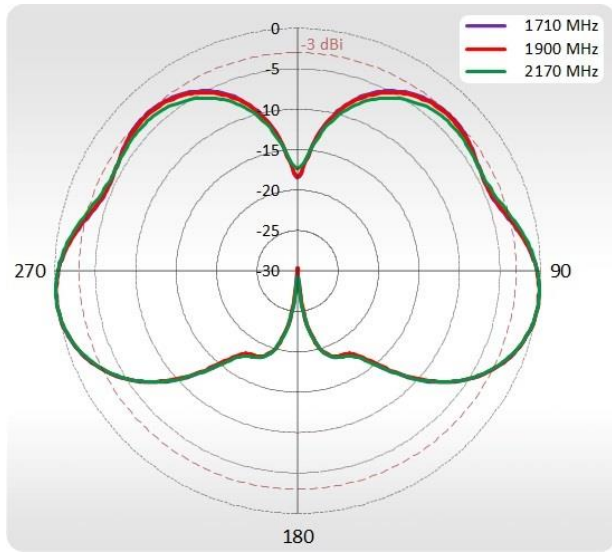
700-900 MHz Azimuth



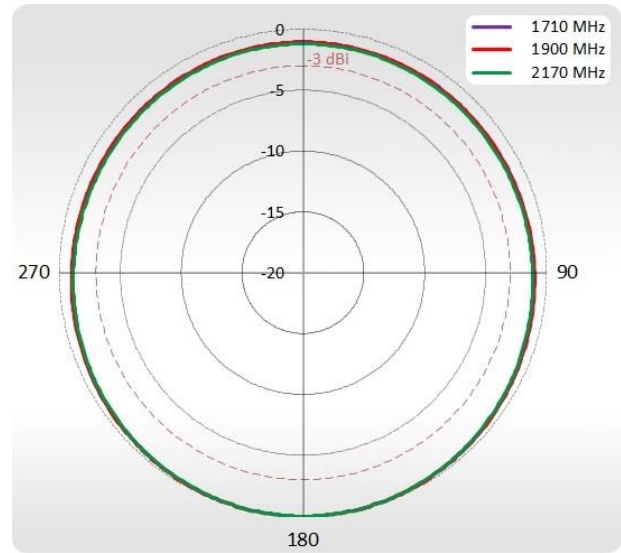
700-900 MHz Elevation



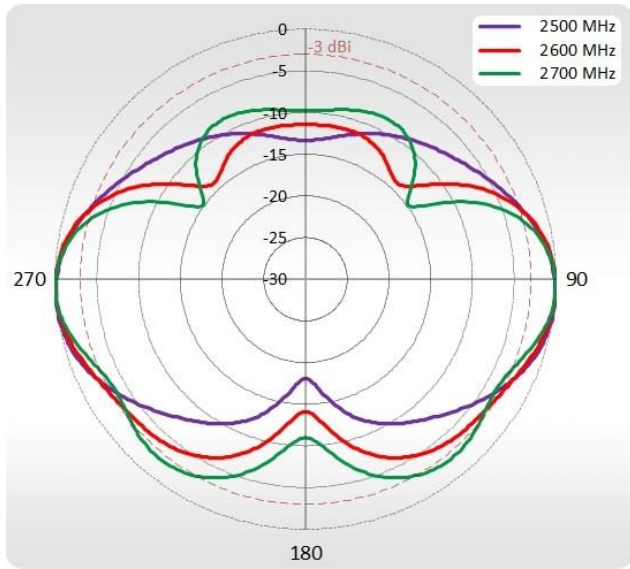
1710-2170 MHz Azimuth



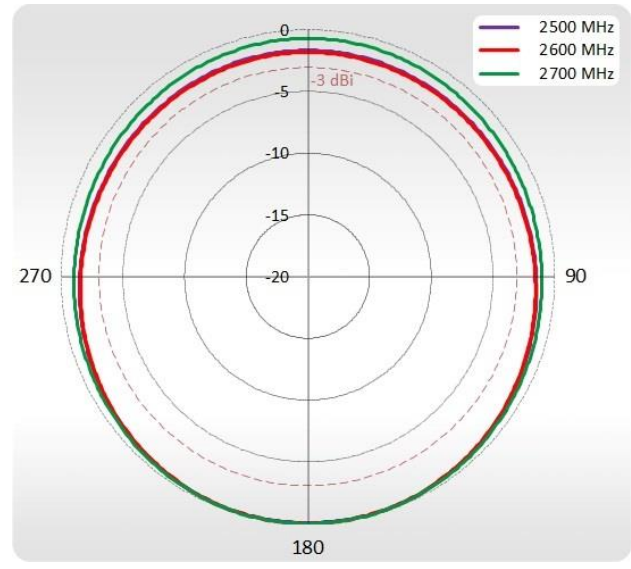
1710-2170 MHz Elevation



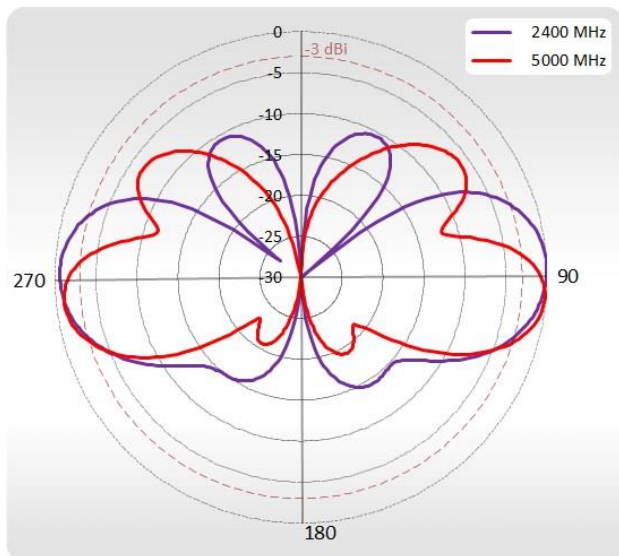
2300-2700 MHz Azimuth



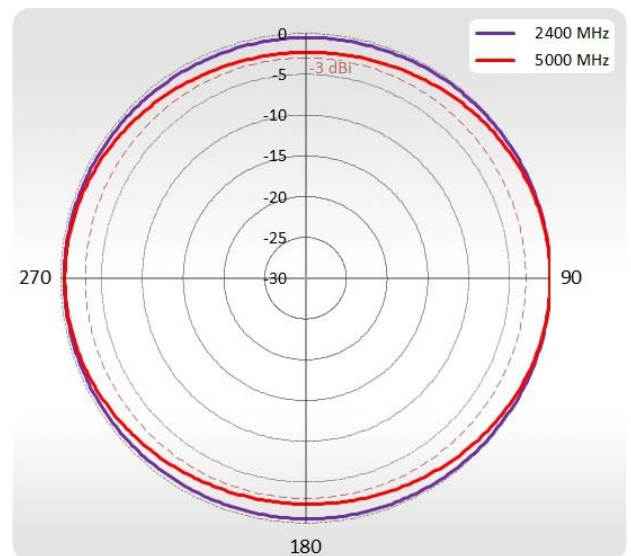
2300-2700 MHz Elevation



Wi-Fi Azimuth



Wi-Fi Elevation



DEVICE SPECIFICATION

DIMENSIONS

DIGI IX10



Rugged, reliable, cost-effective connectivity for critical industrial applications// Two simultaneously operational LTE Cat 6 modems provide speeds up to 600 Mbps with load balancing feature.

- Compact and economical cellular routing platform with industrial feature set
- Redundant connectivity with dual SIMs and Digi SureLink®
- Global bands and single part number to simplify global distribution, deployment and management
- Built-in Digi TrustFence® for device security, device identity and data privacy
- Digi Remote Manager® platform for easy setup, mass configuration and out-of-band management
- Ethernet port and single RJ-45 serial port (RS-232/485)

[Digi IX10 Datasheet](#)

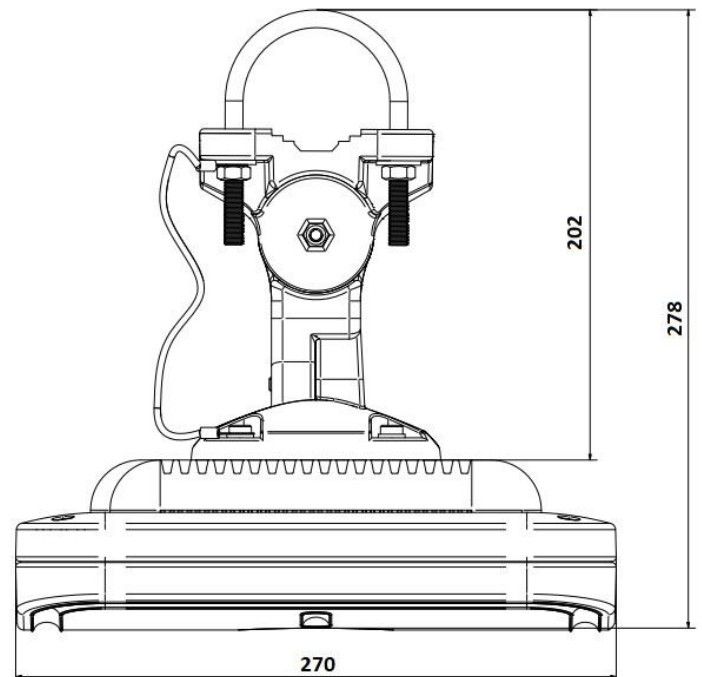
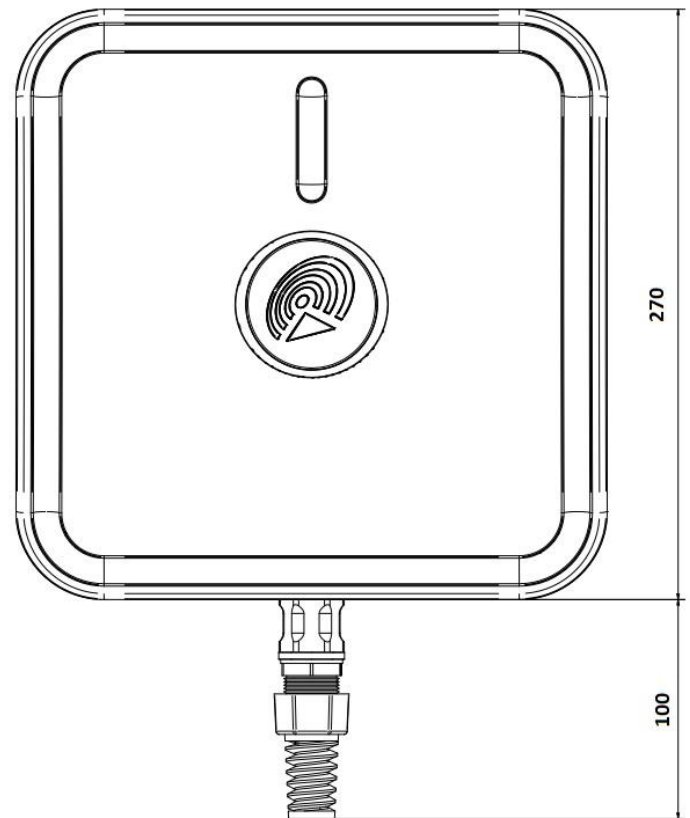
DIGI IX20



Cloud managed networking for critical applications — rugged, secure LTE router.

- Compact and economical cellular routing platform with industrial feature set
- Redundant connectivity with dual SIMs and Digi SureLink®
- Global bands and single part number to simplify global distribution, deployment and management
- Built-in Digi TrustFence® for device security, secure encrypted connections, ongoing monitoring and support
- Digi Remote Manager® platform for easy setup, mass configuration and out-of-band management
- Dual Ethernet ports and single serial (RS-232) port

[Digi IX20 Datasheet](#)



HEADQUARTER:

Wireless Instruments sp. z o.o.

ul. Kościuszki 27

52-116 Iwiny

POLAND

sales@quwireless.com

tel 1. +48 601 366 369

tel 2. +48 577 667 761

www.quwireless.com